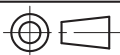
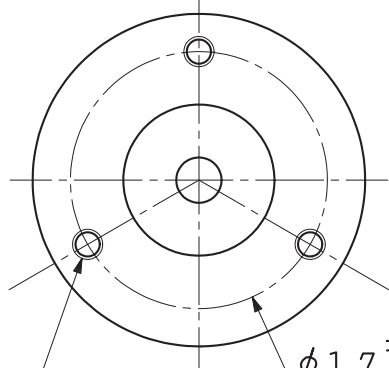


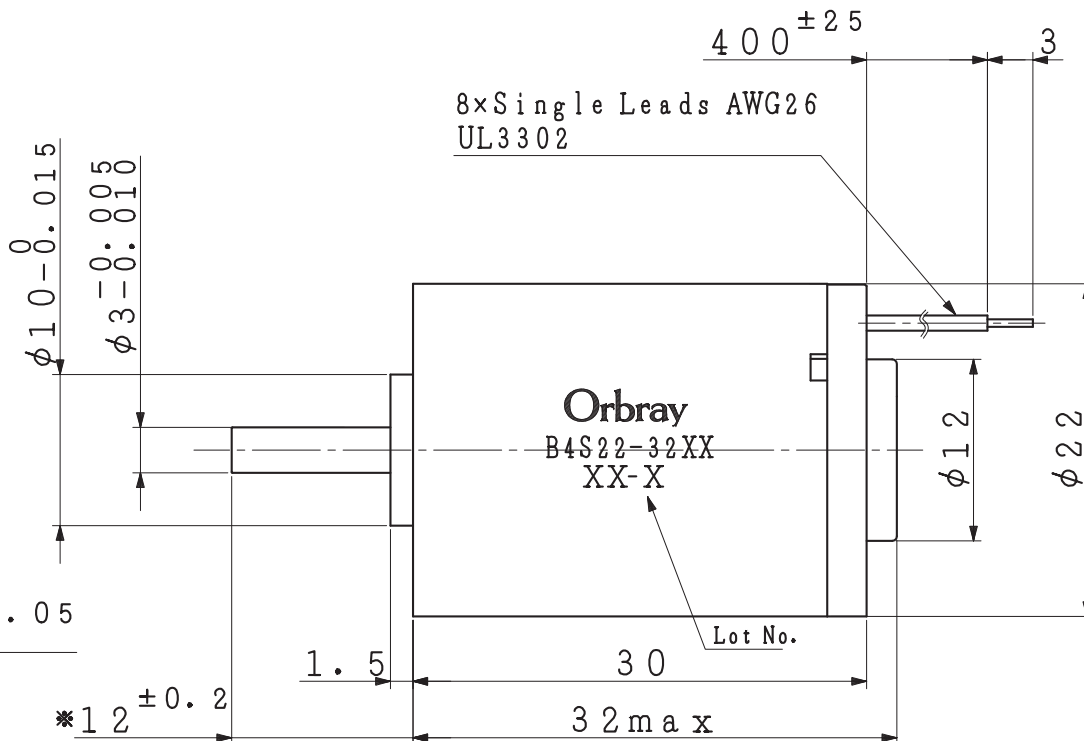
Orbray



No	Sym	Color
1	Coil W	Yellow
2	Coil V	Brown
3	Coil U	Gray
4	Hall GND	Blue
5	Hall Vcc	Orange
6	Hall w	Red
7	Hall v	Black
8	Hall u	White



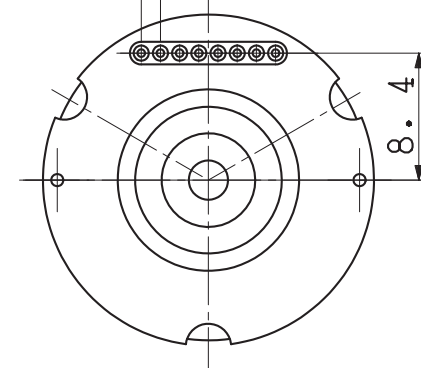
3-M2x0.4
DP2(WITH 120° SHIFT)



8xSingle Leads AWG26
UL3302

7x1.27

Terminal number
#8 ← #1



8.4

Orbray

B4S22-32XX
XX-X

Lot No.

NOTE 1) MARKED (*) IS SHAFT LENGTH MEASURED WHEN IT IS PUSHED TO MOTOR SIDE.

2) *印寸法は出力軸をモータ側に押しつけた時の値を示す。
LOT NO.

EXAMPLE) JANUARY, 2018 例) 2018年1月

「18-A」

JANUARY:A, FEBRUARY:B . . . DECEMBER:L

1月:A、2月:B . . . 12月:L

「-」 : MADE IN THAILAND

「-」有り : 海外工場生産

「-」NONE : MADE IN JAPAN

「-」無し : 国内工場生産

THE END TWO DIGIT OF CHRISTIAN YEAR.

西暦年数末尾数字2桁

3) OUTSIDE DIAMETER IS NOT APPLIED TO THE CAULKING PART AND THE BOTTOM OF OVERHANG PART.
外径寸法公差はカシメ部、及びチリ切り部を除く。

TOLERANCE				△	×				
DIMENSION (±)				△	×				
	0	1	2	3	ANGLE				
L ≤ 6	0.05	0.1	0.1	0.2	±1°	△	×		
6 < L ≤ 30	0.1	0.1	0.2	0.5		△	×		
30 < L ≤ 120	0.15	0.2	0.3	0.8		△	×		
120 < L	0.2	0.3	0.5	1.2		△	×		
MATERIAL	FINISH	QTY.	SCALE	2/1	TYPE	B4S22-32	DATE	NOTE	DRW. CHK. APPD.
			UNIT	1/1mm	TITLE	Outline Drawing			
APPD.	CHK.	DSGN.	DRW.	DWG.NO.	D0*****-00				
				REF.NO.					
		02-May'18	02-May'18	CHK.NO.	REMARK				